

SE05-0017

SECTOR ANTENNA 2X2 MIMO 5GHz 17dBi



The SE05-0017 is a slant polarized 2x2 MIMO sector antenna that operates from 5000MHz to 6000MHz. It provides a gain of 17dBi and has a VSWR of less than 2:1. It has a horizontal beamwidth of 80 ° and a vertical beamwidth of 8°. It is available in an IP67-rated enclosure that measures 486 x 290 x 70 mm and has two N-female connectors and 4-hole mounting. This sector antenna is ideally suited for stations of point-to-multipoint architectures. It is connected to MegaMesh / GigaMesh routers via antenna cables.

OUTDOOR

ANTENNA

SOLUTION

KEY FEATURES

Outdoor sectorial antenna

17 dBi/80°H - 8°V/5 - 6 GHz

Slant X polarization

2 x N-Female connectors

Mounting kit included

ELECTRICAL SPECIFICATIONS

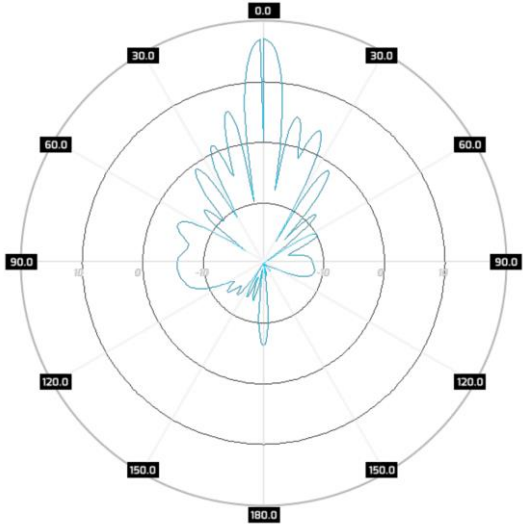
FREQUENCY	5.0 - 6.0 GHz
GAIN	17 dBi
Supported bands	46, 47, 252, 255
VSWR	<2.00
BEAMWIDTH	8°/80°
FRONT TO BACK	>24 dB
POLARIZATION	Slant X
IMPEDANCE	50 Ω

MECHANICAL SPECIFICATIONS

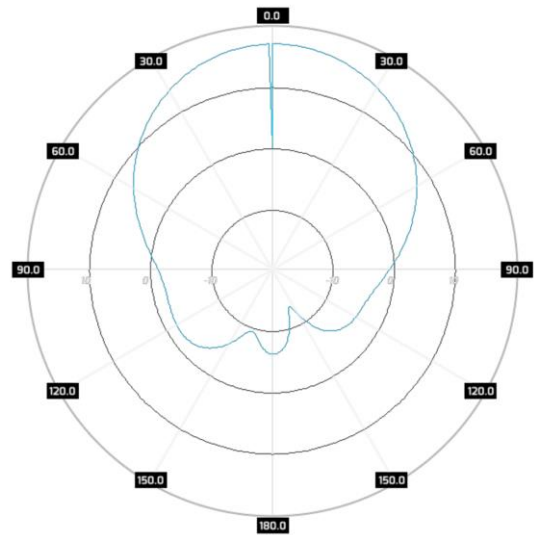
MATERIALS	ABS, PTFE, Fiberglass
INGRESS PROTECTION	IP67
CONNECTOR TYPE	2x N-Female
DIMENSIONS	486 x 290 x 70 mm 19.13 x 11.42 x 2.75 inch
WEIGHT	2.0 kg 4.40 lbs.
OPERATING TEMPERATURE	From -40°C to 80°C From -40°F to 176°F

ANTENNA PATTERNS

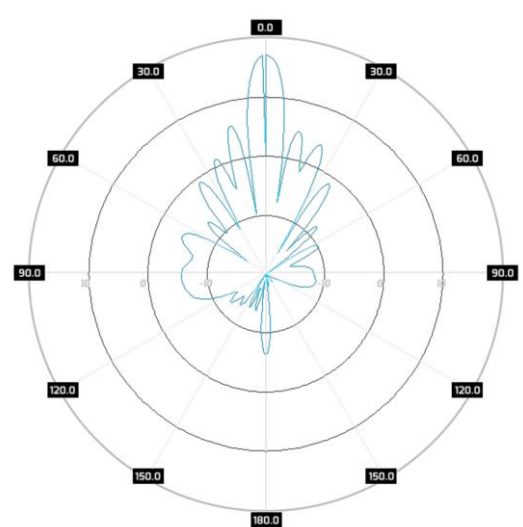
Port 1 Elevation



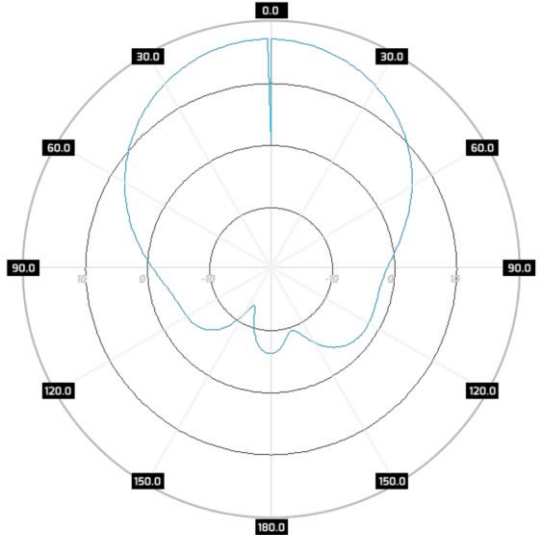
Port 1 Azimuth



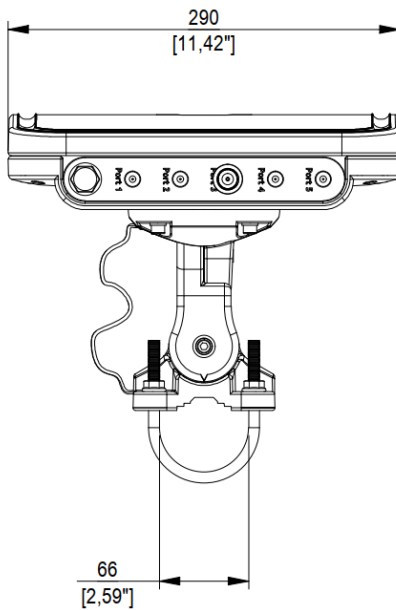
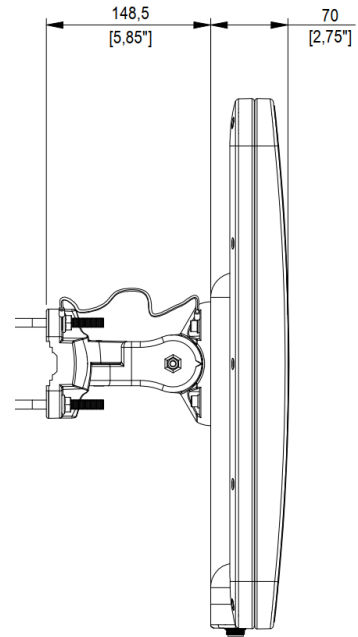
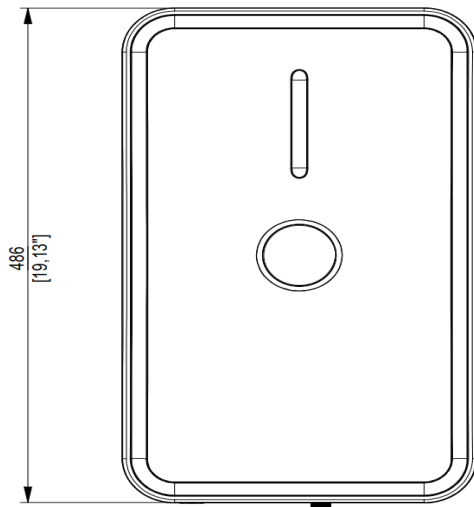
Port 2 Elevation



Port 2 Azimuth



DIMENSIONS



ORDERING INFORMATION

SE05-0017